



12400 Earl Jones Way
 Louisville, KY 40299
 rev-a-shelf.com
 Customer Service: 800-626-1126

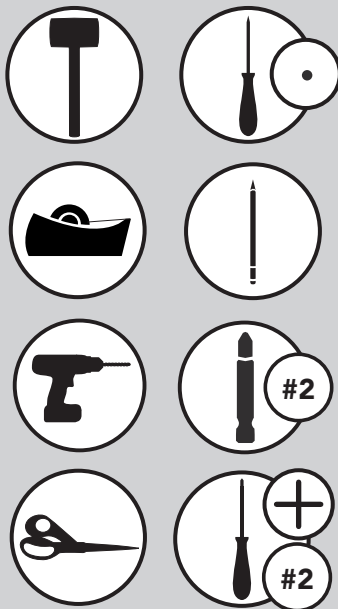


INSTALLATION INSTRUCTIONS

VIDEO INSTRUCTIONS: WWW.REV-A-SHELF.COM/VIDEOS

4PIL SERIES PILASTER DRAWER BOX SYSTEM INSTRUCTIONS

TOOLS REQUIRED:



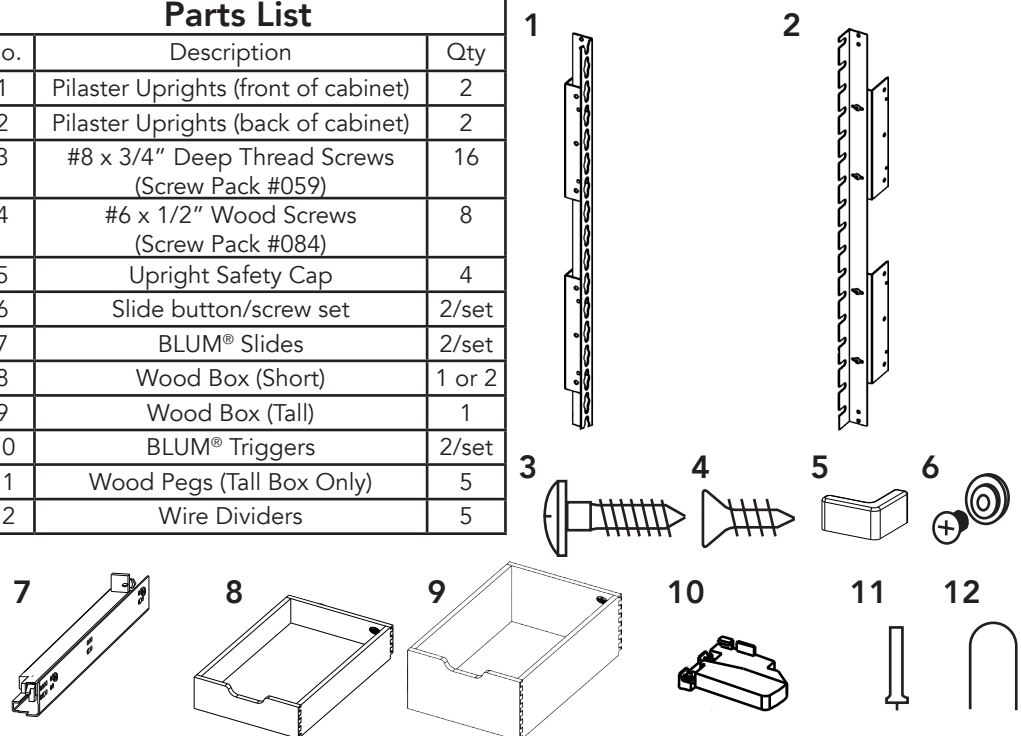
ESTIMATED ASSEMBLY TIME:

45 MIN

CARE AND MAINTENANCE:

Clean with a damp cloth and wipe parts dry.

Parts List		
No.	Description	Qty
1	Pilaster Uprights (front of cabinet)	2
2	Pilaster Uprights (back of cabinet)	2
3	#8 x 3/4" Deep Thread Screws (Screw Pack #059)	16
4	#6 x 1/2" Wood Screws (Screw Pack #084)	8
5	Upright Safety Cap	4
6	Slide button/screw set	2/set
7	BLUM® Slides	2/set
8	Wood Box (Short)	1 or 2
9	Wood Box (Tall)	1
10	BLUM® Triggers	2/set
11	Wood Pegs (Tall Box Only)	5
12	Wire Dividers	5



DETERMINE YOUR APPLICATION

STEP 1

The Pilaster Drawer Box system can be used for base cabinet and tall pantry applications. If your application is for a base cabinet, go on to step 2. If your application is for tall pantry application, please ensure you have enough vertical space in your pantry before continuing (See Fig 1.1). Remove the two top screws from the lower set of Pilaster Uprights (See Fig 1.2). Stack the new Pilaster Upright on top of the bottom one and attach the uprights using the previously removed screws.



FIGURE 1.1

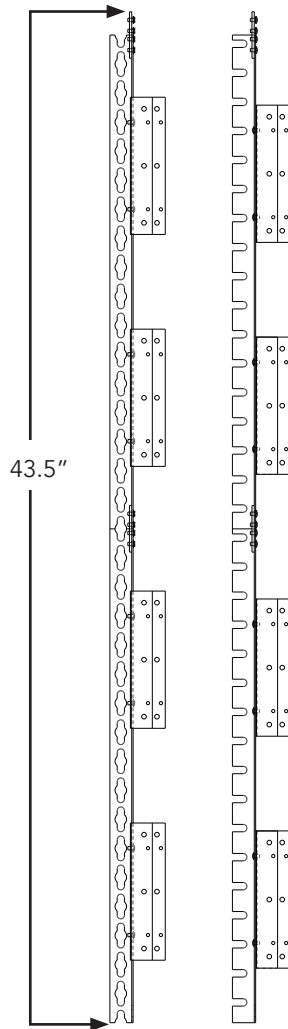
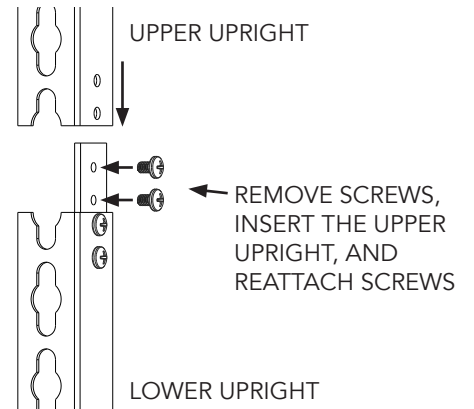


FIGURE 1.2



STEP 2

Remove the screws that attach the four extension brackets to the top of any Pilaster Uprights that aren't currently being used as extensions (See Fig 2.1). Place end caps on the top of the front two Pilaster Uprights (See Fig 2.2)



FIGURE 2.1

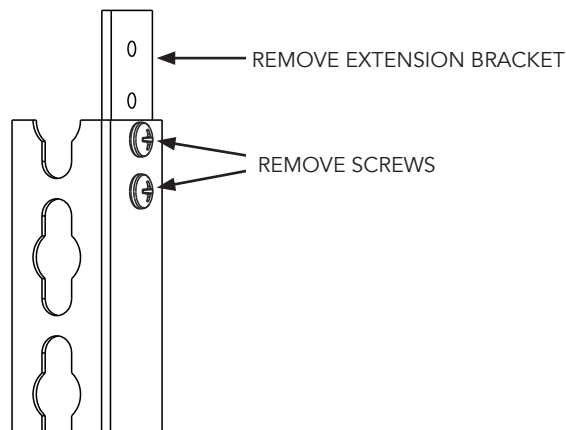
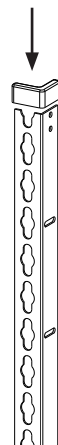


FIGURE 2.2

PRESS DOWN FIRMLY



INSTALLING THE PILASTER UPRIGHTS

STEP 3

Refer to the included template to attach your Pilaster Upright Kit (See Fig 3.1).

Before attaching the L-bracket to the wall with the provided #8x3/4" phillips truss head deep thread screws, ensure the machine screws that attach the Pilaster Uprights to the bracket are loose (See Fig 3.2).

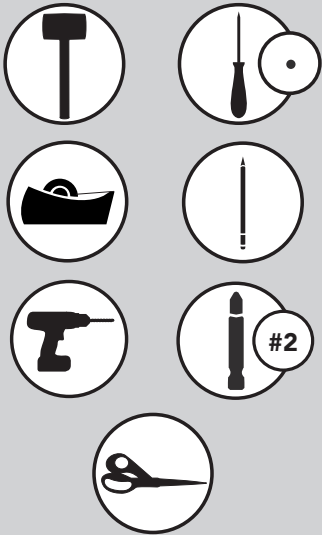


FIGURE 3.1

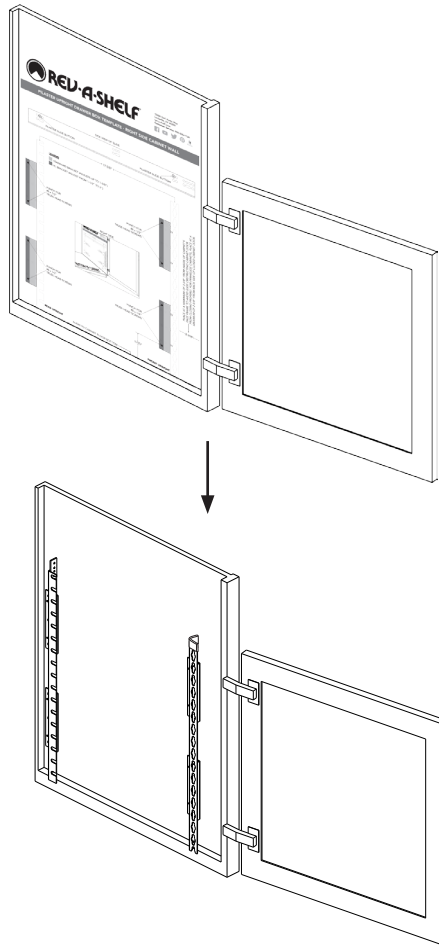
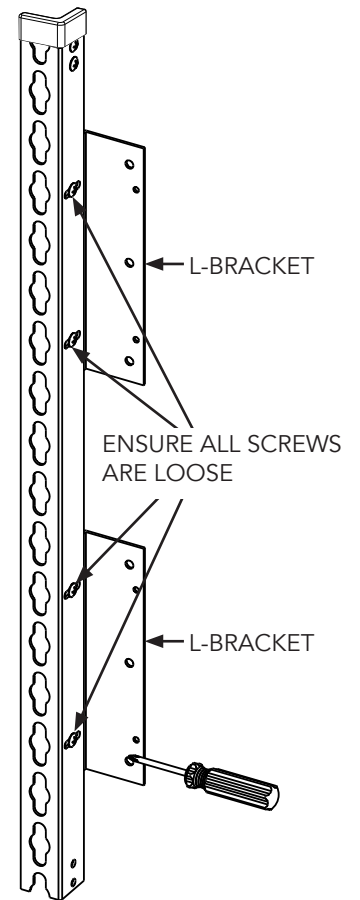


FIGURE 3.2



ATTACHING BUTTONS TO THE SLIDES

STEP 4

Each slide set is to be fitted with 1 Pilaster Button Kit. Using the 4 included screws and buttons, attach the buttons to the slides through the indicated holes as shown in Figure 4.

NOTE: The slides used in the Pilaster Upright System are BLUM 563H53301B

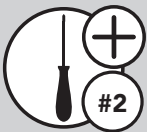
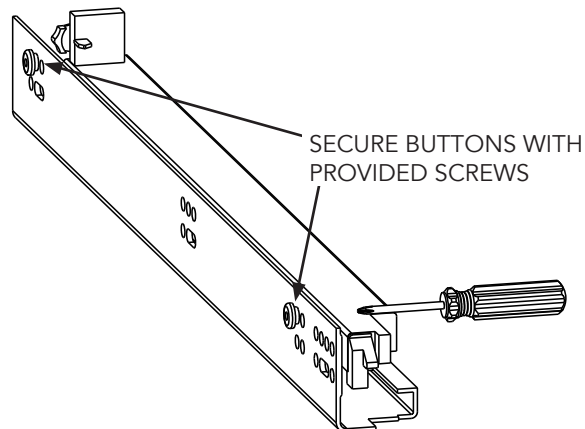
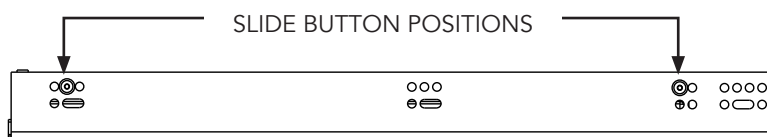


FIGURE 4



HANGING SLIDES ON UPRIGHTS

STEP 5

Locate the desired hole locations for the Pilaster Buttons to be inserted.

Insert the button attached to the rear of the slide into the back Pilaster Upright slot. Drop the front slide button into the center of the front upright slot and press down to secure the slide (See Fig 5).

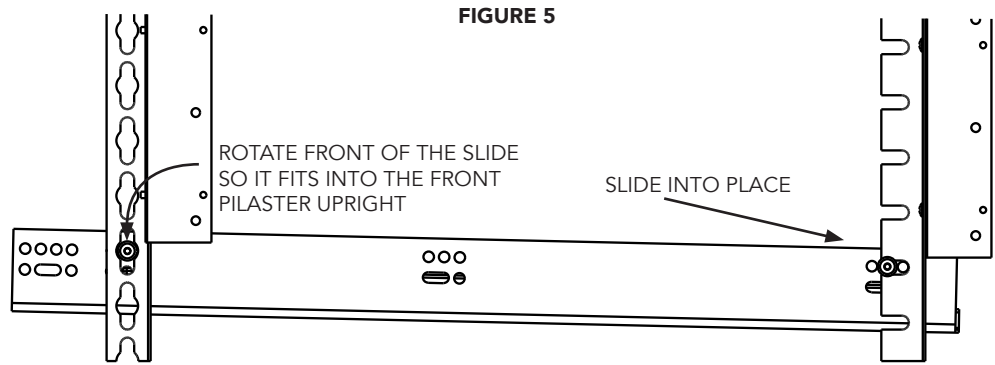


FIGURE 5

DRAWER BOX PREPARATION

STEP 6

With the wood box upside down, locate the front of the box by identifying the pre-drilled holes (See Fig 6.1). Ensure the triggers are on the correct side before attaching the four #6x1/2" phillips pan head deep thread wood screws (See Fig 6.1).

Once the triggers are attached, place the wood box on top of the BLUM slides and slowly push the wood box back. When the slides have fully engaged, you will hear a "click" sound (See Fig 6.2). At this point, tighten the screws connecting the Pilaster Uprights to the L-Brackets from Step 3 (See Fig 3.2).

NOTE: You will also use these triggers to disengage the wood boxes from the pilaster system when necessary.

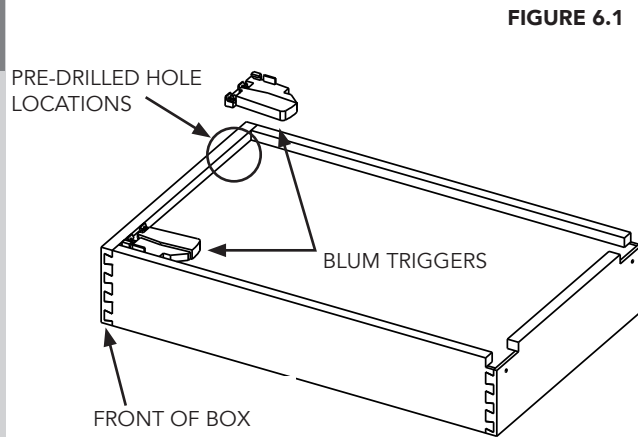


FIGURE 6.1

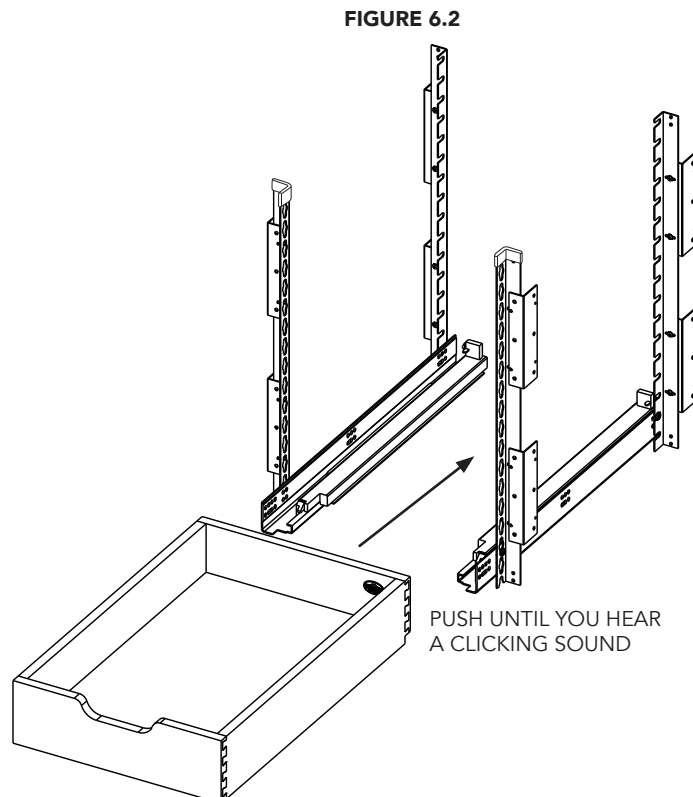
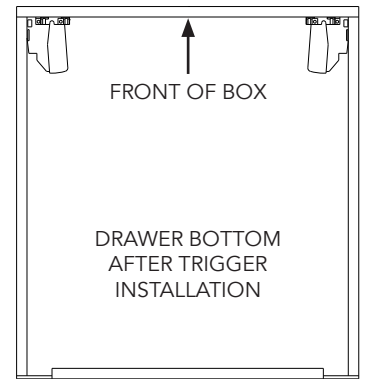


FIGURE 6.2